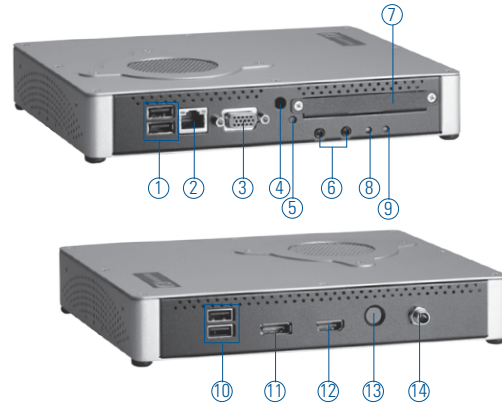


DSB500-860

High Performance Digital Signage Player with Socket G2 2nd Gen Intel® Core™ Processor

Features

- Socket G2 (rPGA988B) 2nd gen Intel® Core™ i7/i5/i3 processor
- Intel® QM67 chipset
- DDR3-1066/1333/1600 SO-DIMM, up to 8GB
- HDMI & DisplayPort & VGA
- One 2.5" SATA drive bay
- Supports Intel® AMT (Active Management Technology) 7.0
- Optional wireless LAN module
- Supports wall mount and VESA mount



- | | | |
|----------------------------|----------------------------|------------------|
| 1. USB 2.0 x 2 | 6. Audio (Line-out/Mic-in) | 11. DisplayPort |
| 2. Ethernet | 7. 2.5" HDD tray | 12. HDMI |
| 3. VGA | 8. Power LED | 13. Power button |
| 4. WiFi antenna (optional) | 9. HDD LED | 14. 19 VDC |
| 5. Reset button | 10. USB 2.0 x 2 | |

Optional EOS Installation

WES7

Optional OS Installation

Windows® 7

Ordering Information

Standard

DSB500-860	High performance digital signage player with socket G2 2nd generation Intel® Core™ processor
------------	--

Optional

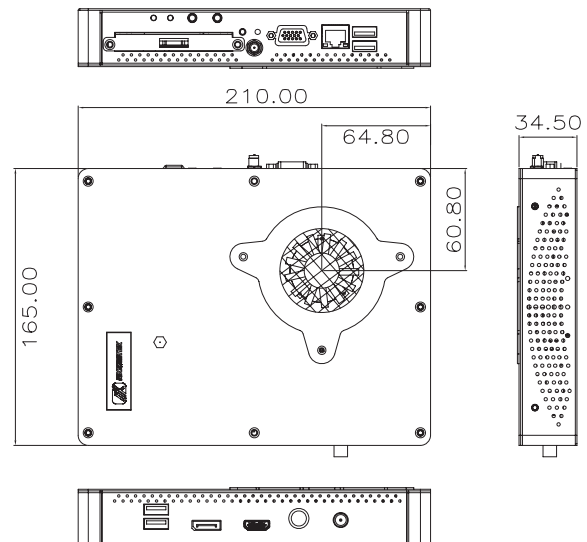
Wireless LAN kit	Wi-Fi module and antenna
------------------	--------------------------

VESA mount kit

Wall mount kit

* Specifications and certifications may vary contingent on options.

Dimensions



Specifications

Standard Color	Black/Grey
Construction	Heavy-duty steel
CPU	Socket G2 (rPGA988B) 2nd generation Intel® Core™ i7/i5/i3 processor (Sandy Bridge)
Chipset	Intel® QM67
System Memory	1 x 204-pin DDR3-1066/1333/1600 SO-DIMM, up to 8GB
Storage	1 x 2.5" SATA HDD
BIOS	AMI
System I/O Outlet	1 x DisplayPort 1 x VGA 4 x USB 2.0 1 x Audio (Line-out/Mic-in) 1 x HDMI 1 x 10/100/1000 Mbps Ethernet (Intel® 82579LM) 1 x Power on/off button 1 x Reset button
Indicator	1 x LED for system power on 1 x LED for HDD
WiFi	Optional 802.11 b/g/n
Expansion Slot	1 x PCI Express Mini Card
Power Supply	19 VDC
Operating Temperature	0°C ~ +40°C (+32°F ~ +104°F)
Dimensions	210 mm (8.26") (W) x 165 mm (6.49") (D) x 35 mm (1.37") (H)
Packing Dimensions	277 mm (10.91") (W) x 212 mm (8.35") (D) x 147 mm (5.79") (H)
Weight (net/gross)	1.5 kg (3.3 lb)/ 2.5 kg (5.51 lb)
Certificate	CE

Packing

- 1 x Driver CD
- 1 x Adapter 19 V 90 W
- 1 x Power cord
- 2 x M3 screw

